

**CITY OF MANTECA**  
**YOSEMITE AVENUE (WALNUT AVENUE TO MAIN STREET) BIKE AND PEDESTRIAN IMPROVEMENT PROJECT CIP NO. 20006 HSIPL-5242(036)**  
**ADDENDUM 3**  
**DATED: October 28, 2025**

This addendum forms part of the Contract Documents and modifies the original Plans and Specifications. **Bidders shall acknowledge receipt of this Addendum by signing the attached acknowledgement and including the Acknowledgement in their bid proposal.** Failure to include the Acknowledgement with their bid may subject the bidder to disqualification.

**GENERAL:**

The following changes, deletions, and additions shall be made to the following documents, as noted, and shall take precedence over the original Contract Documents. All other requirements remain the same.

<u>Item</u>	<u>Drawing/Specification</u>	<u>Description</u>
3.01 Specifications Section, (Page 297)		<i>Delete: Page 297</i>  <i>Replace with (Attachment 1): Revised – Page 297</i>
3.02 Bid Plans, Drawing CD-6 Sheet 9		<i>Delete: Bid Plan, Drawing CD-6, Sheet 9</i>  <i>Replace with (Attachment 2): Revised Drawing CD-6, Sheet 9</i>

**CITY OF MANTECA**

**YOSEMITE AVENUE (WALNUT AVENUE TO MAIN STREET) BIKE AND  
PEDESTRIAN IMPROVEMENT PROJECT CIP NO. 20006 HSIPL-5242(036)**

**ADDENDUM 3  
DATED: October 28, 2025**

I acknowledge receipt of Addendum 3.

Company

\_\_\_\_\_

By:

\_\_\_\_\_

Title:

\_\_\_\_\_

Address:

\_\_\_\_\_

Date:

\_\_\_\_\_

**CITY OF MANTECA  
YOSEMITE AVENUE (WALNUT AVENUE TO MAIN STREET) BIKE AND  
PEDESTRIAN IMPROVEMENT PROJECT CIP NO. 20006 HSIPL-5242(036)**

**ADDENDUM 3  
DATED: October 28, 2025**

**ATTACHMENT 1**

*Technical Specification: Revised – Page 297*

## DIVISION VIII MISCELLANEOUS CONSTRUCTION

### 73 CONCRETE CURBS AND SIDEWALKS

#### Add to section 73-1.01:

Portland Cement Concrete curbs, gutters, sidewalks, curb ramps, valley gutters and driveways shall conform to the provisions in Section 73, "Concrete Curbs and Sidewalks," of the State Standard Specifications and these special provisions.

Prefabricated detectable warning surface shall be in conformance with the requirements established by the Department of General Services, Division of State Architect and be attached in conformance with the manufacturer's recommendations. A sample of the detectable warning surface shall be provided to the Engineer and the City of Manteca for approval.

The manufacturer shall provide a written 5 year warranty for prefabricated detectable warning surfaces, guaranteeing replacement when there is defect in the dome shape, color fastness, sound on cane acoustic quality, resilience, or attachment. The warranty period shall begin upon acceptance of the contract.

All concrete shall be Class A, six sack mix unless otherwise specified.

All newly placed concrete shall be cured in accordance with the provisions in Section 90-1.03B(3)(b) and 90-1.01C(6)(a) of the State Standard Specifications and these Special Provisions.

Minor Concrete shall be constructed as shown on the plans and shall conform to the City of Manteca Standard Plans.

Pedestrian ramps shall conform to the State Standard Plans indicated on the plans and shall meet all requirements outlined in the City of Manteca ADA transition plan.

Pedestrian ramp detectable warning surface shall consist of raised truncated domes constructed or installed on curb ramps. Detectable warning surface shall be a prefabricated surface installed on the curb ramp, in accordance with the approved materials within the City of Manteca.

Steel dowel bars connecting curb to existing or previously poured concrete pavement must be epoxy coated complying with section 40-1.02C(3). The dowel bar must be installed complying with section 40-1.03D except exposed portion must not be lubricated.

Apply a bonding agent between curb placed on existing or previously poured concrete pavement in accordance with section 41-1.02D.

#### Add to section 73-1.02A:

Concrete must be minor concrete complying with section 90-2 and may contain returned plastic concrete complying with section 90-9, except as follows:

1. For all miscellaneous concrete work, cementitious material content of concrete must be at least 590 lb/cu yd.
2. For valley gutters, cementitious material content of concrete must be at least 590 lb/cu yd.
3. The maximum size of aggregate used for miscellaneous concrete construction shall be 1 inch.

#### Add to section 73-1.03A:

Construct new sidewalk and new curb monolithically.

~~There is no base material required under the City's curb ramps and sidewalks.~~ Therefore, use City Standard Detail ST-7, ST-11, and 2024 Caltrans Standard plans sheet A88A with the following provisions:

- Sidewalk and curb ramp thickness must be ~~6 inches~~ 4 inches concrete above 4 inches AB as shown on sheet 4 CD-1.

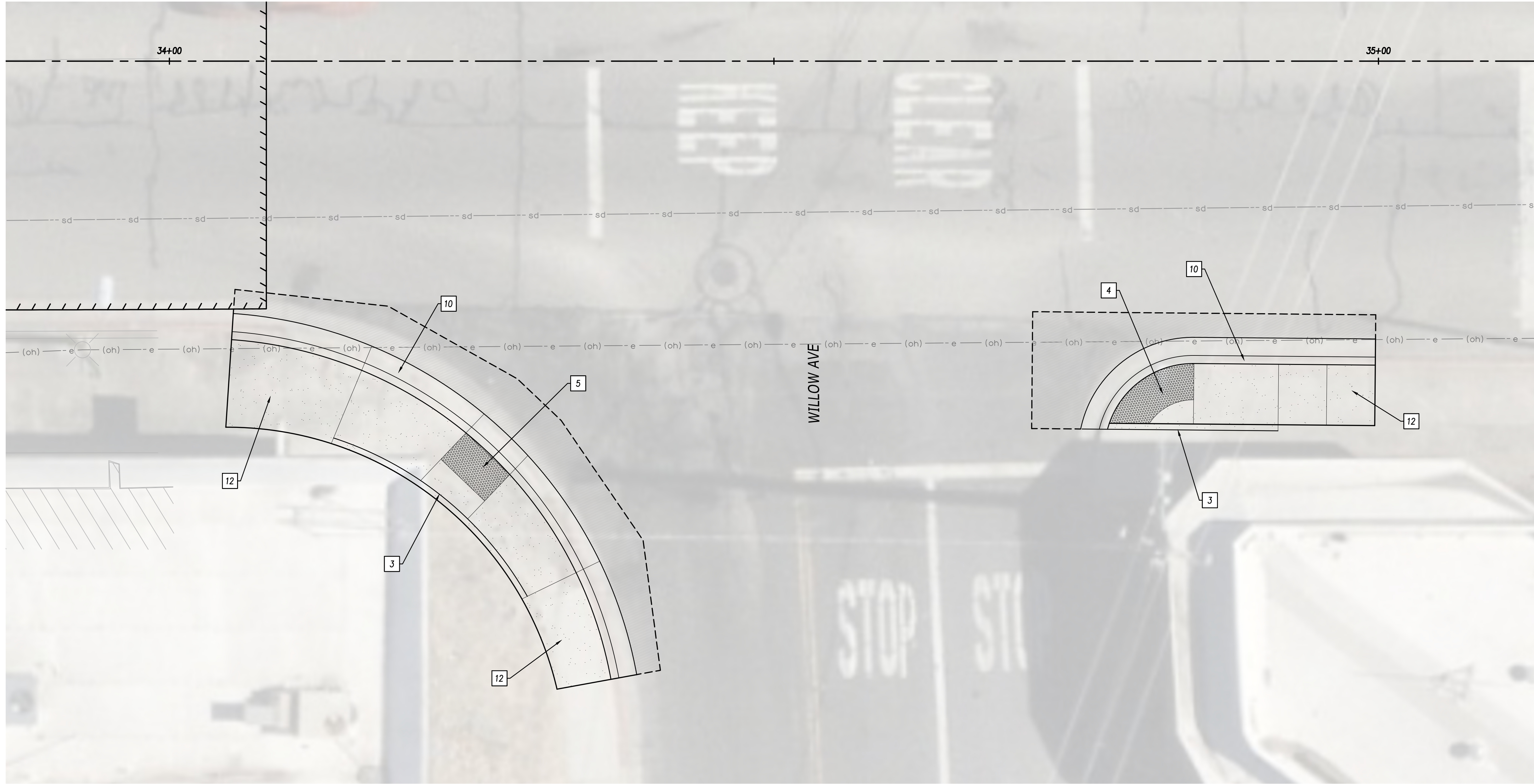
The compaction under the sidewalk must meet City standards section 73-1.02, SUBGRADE

**CITY OF MANTECA  
YOSEMITE AVENUE (WALNUT AVENUE TO MAIN STREET) BIKE AND  
PEDESTRIAN IMPROVEMENT PROJECT CIP NO. 20006 HSIPL-5242(036)**

**ADDENDUM 3  
DATED: October 28, 2025**

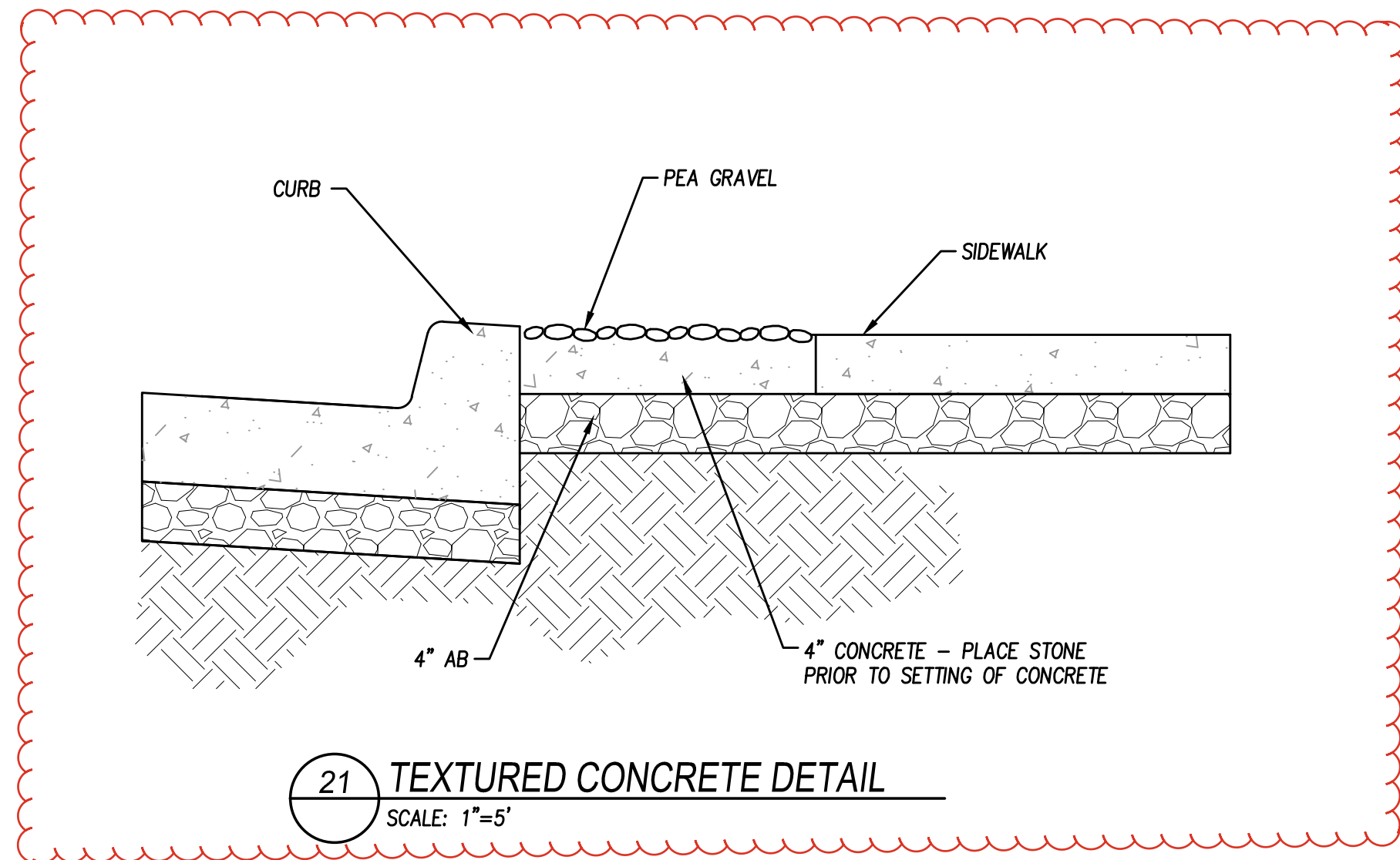
**ATTACHMENT 2**

*REVISED BID PLAN, DRAWING CD-6, SHEET 9*



19 SW CURB RAMP @ WILLOW AVE AND W YOSEMITE AVE  
SCALE: 1"=5'

20 SE CURB RAMP @ WILLOW AVE AND W YOSEMITE AVE  
SCALE: 1"=5'



21 TEXTURED CONCRETE DETAIL  
SCALE: 1"=5'

PLANS FOR THE CONSTRUCTION OF		CIVIL	
YOSEMITE AVENUE BIKE AND PEDESTRIAN IMPROVEMENT PROJECT		DRAWING CD-6	
CONSTRUCTION DETAILS		SHEET: 9 OF 27	
		SCALE: 1"=20'	
		VERT: N/A	
CITY OF MANTECA	DEPARTMENT OF ENGINEERING	DATE	PROJECT ENGINEER:
1001 W CENTER ST	MANTECA, CA 95337		C. ALLEN
(209) 456-8460			
		C. ALLEN SUBMITTED BY DESIGNED B. MICHEL DRAWN B. MICHEL NO. REVISIONS	
DATE	05/06/2025	DATE	06/17/2025
CIP NO.	20006	CIP NO.	20006
GRID NO.	N/A	GRID NO.	N/A
FILE NO.	HSIPL-52442(036)	FILE NO.	HSIPL-52442(036)
APPROVAL BY		APPROVAL BY	
DATE		DATE	